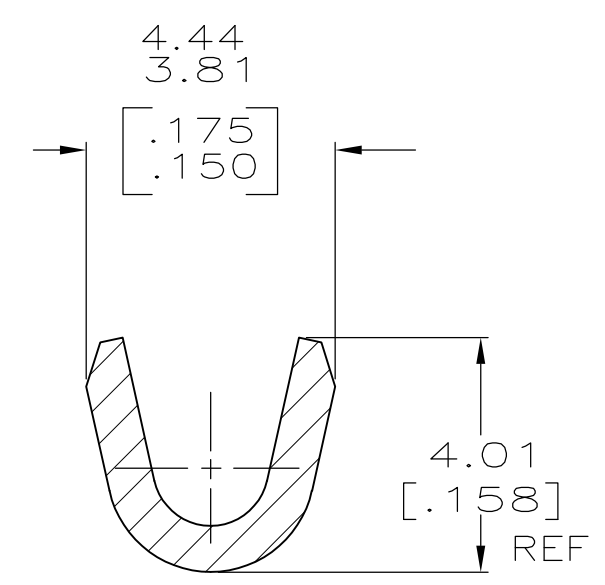
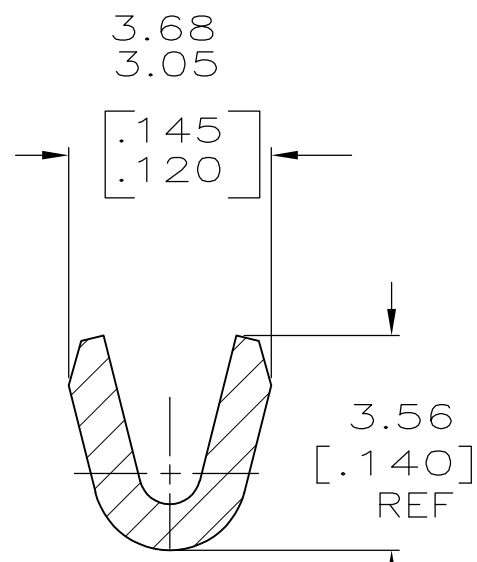
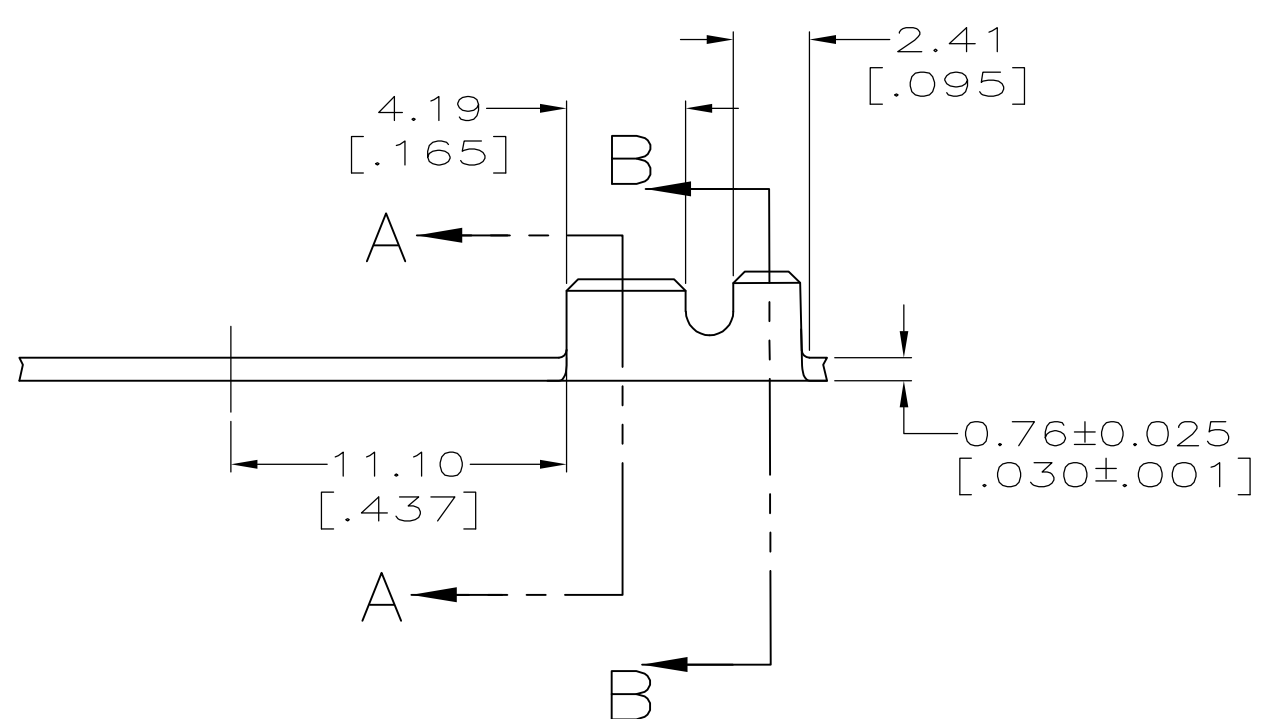
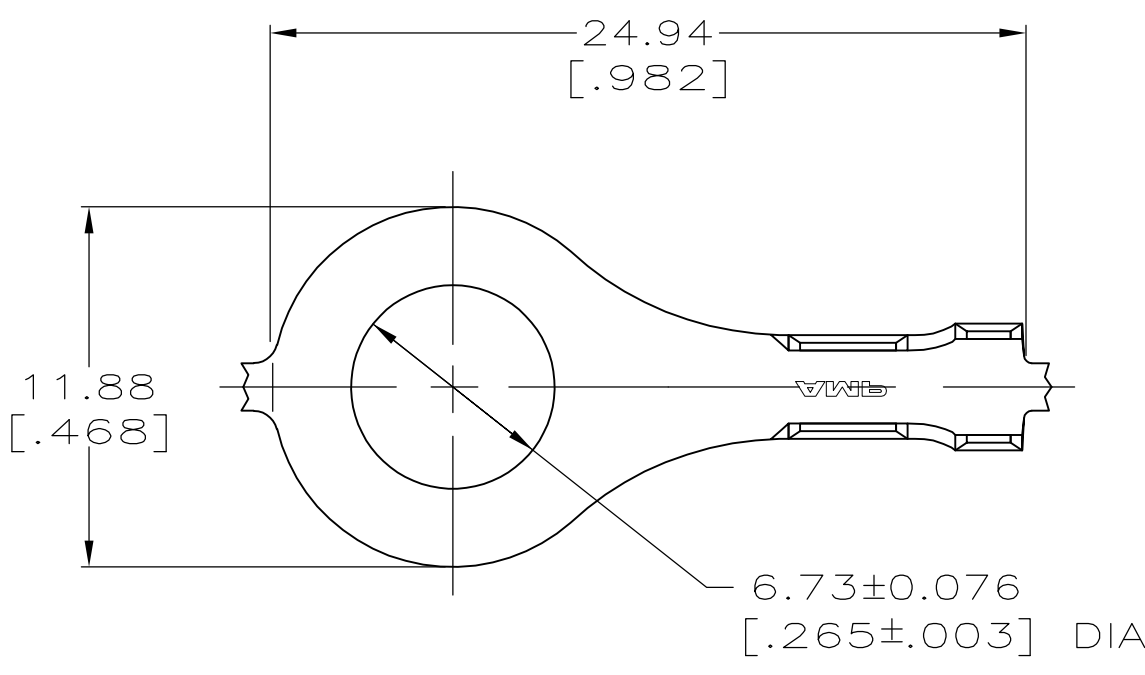


THIS DRAWING IS UNPUBLISHED. RELEASED FOR PUBLICATION  
 © COPYRIGHT - By - ALL RIGHTS RESERVED.

REVISIONS				
P	LTR	DESCRIPTION	DATE	APVD
	K1	REVISED PER ECR-17-001421	03FEB2017	NK FV



- 1 CONTINUOUS STRIP ON REELS AT A FEED OF 27.68±0.13 [1.090±.005].
- 2 WIRE SIZE IS [#22-#18] AWG.
- 3 INSULATION RANGE IS 1.78-2.54 [.070-.100] DIA.
- △ 4 REELED WITH INTERLEAVING PAPER.

△ 4	41711-2
	41711
	PART NO.

THIS DRAWING IS A CONTROLLED DOCUMENT.		DWN	JR RUTH	10/5/98	<b>TE Connectivity</b>
DIMENSIONS: mm [INCHES]		CHK	MS FEHER	10/5/98	
TOLERANCES UNLESS OTHERWISE SPECIFIED:		APVD	J DUNCAN	10/5/98	
0 PLC ± - 1 PLC ± - 2 PLC ± 0.38 [.015] 3 PLC ± - 4 PLC ± - ANGLES ± -		PRODUCT SPEC		NAME	
MATERIAL	082 BRASS	FINISH	TIN	APPLICATION SPEC	TERMINAL, RING
		WEIGHT	0.000000	SIZE	A3
		CUSTOMER DRAWING		CAGE CODE	00779
				DRAWING NO	C-41711
		SCALE	4:1	RESTRICTED TO	-
		SHEET	1 OF 1	REV	K1